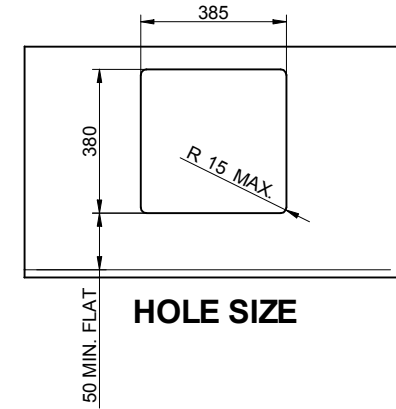
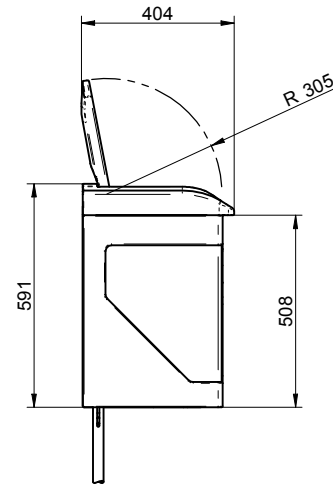
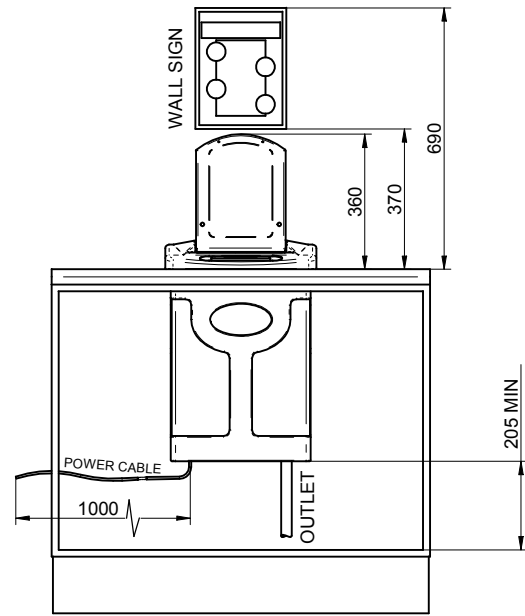
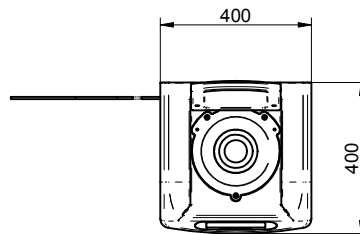



REVISION HISTORY			
REV	DESCRIPTION	DATE	APPROVED



COUNTER UNIT NOT PART OF ASSEMBLY. SHOWN AS REPRESENTATION ONLY



6&7 Merrylees Industrial Estate, Leeseide Leicestershire, LE9 9FS. Tel: 01530 231000 info@shoretan.com.			<table border="1"> <tr> <th>NAME</th> <th>DATE</th> </tr> <tr> <td>Dan Vardy</td> <td>09/23/19</td> </tr> </table>	NAME	DATE	Dan Vardy	09/23/19	TITLE Drier Van_Unit										
NAME	DATE																	
Dan Vardy	09/23/19																	
<table border="1"> <tr> <th>DRAWN</th> <th>CHECKED</th> <th>ENG APPR</th> <th>MGR APPR</th> </tr> <tr> <td> </td> <td> </td> <td> </td> <td> </td> </tr> </table>	DRAWN	CHECKED	ENG APPR	MGR APPR					<table border="1"> <tr> <th>SIZE</th> <th>DWG NO</th> <th>REV</th> </tr> <tr> <td>A3</td> <td> </td> <td> </td> </tr> </table>	SIZE	DWG NO	REV	A3			UNLESS OTHERWISE SPECIFIED DIMENSIONS ARE IN MILLIMETERS ANGLES +X.X° 2 PL *XXX 3 PL *XXXX		FILE NAME: Inst Tech_ins_Unit_mm.dft
DRAWN	CHECKED	ENG APPR	MGR APPR															
SIZE	DWG NO	REV																
A3																		
SCALE:	WEIGHT:	SHEET 1 OF 1																